

NMEA2000® 4-20mA Tank Level Adaptor



- Convert 4 - 20mA sensor input to tank level
- Heartbeat blue LED confirming NMEA2000® transmission.
- Faulty sensor/connection detection (under or over current)
- NMEA2000® micro C interface plug
- Panel mounting
- NMEA2000® certified

The Oceanic Systems' NMEA2000® 4291 4-20mA Tank Level Adaptor part number 4291 is designed to convert the output from a 4-20mA pressure sensor mounted in a tank to a standard NMEA2000® Tank Level PGN message.

It is switch settable for up to 16 different Fuel, Fresh Water, Grey Water or Black Water tanks without requiring any additional setup from external displays.

The 4291 has 2 LED indicators. A blue LED, that flashes as each message is transmitted and a red LED, that indicates if the pressure sensor connection has a short or open circuit.

The unit is easy to calibrate to empty and full tanks simply by using the front panel switches.

It can also be factory or user calibrated to any tank shape or capacity with our USB to CAN adaptor or our 3345 small colour display.

The 4291 has a standard Micro-C male plug for attaching to the NMEA2000® network and ¼" spade connectors to attach to the pressure sensor.

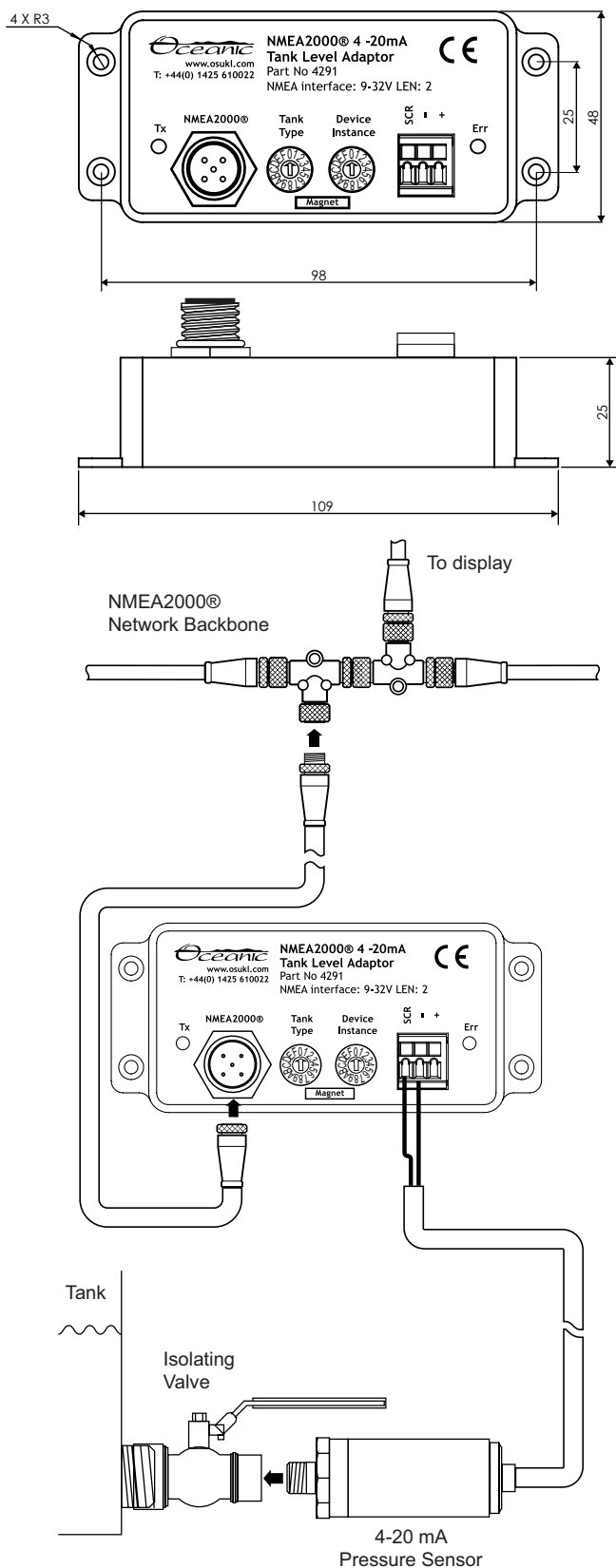
The Tank Sender Adaptor is fully encapsulated for maximum water resistance and can be installed in any reasonably protected area within two metres of the 4-20mA Hydrostatic Pressure Sensor.

The unit is manufactured to EN60945 and certified for the NMEA2000® network.



NMEA2000® 4–20mA Tank Level Adaptor

Part No. 4291



Specification		
Parameter	Comment	
Accuracy	±1% (Level Mode)	
Number of Tanks	Up to 16 per tank type on single network	
Design Standard		
NMEA2000	Level B	
NMEA2000 Parameter Group Numbers (PGNs)		
Type	PGN No.	PGN Name
Monitor	PGN127505	Fluid Level
Protocol	PGN126464	Tx/Rx PGN List
	PGN126996	Product Information
	PGN059392	ISO Acknowledge
	PGN059904	ISO Request
	PGN060928	ISO Address Claim
	PGN126208	Command/Request Group
Electrical and Mechanical		
Parameter	Value	Comment
Operating Voltage	12 to 24 Volts	
Power Consumption	71.5mA	Average Operating
Load Equivalence Number	2	LEN
Reverse Battery Protection	Yes	Indefinitely
Load Dump Protection	Yes	SAE J1113
Size	mm	98 x 58 x 17
Weight	gr	140
Environmental		
Parameter	Value	
IEC 60954 Classification	Protected	
Degree of Protection	IP67	
Operating Temperature	-20°C to 55°C	
Storage Temperature	-40°C to 70°C	
Relative Humidity	93%RH @40° per IEC60945-8.2	
Electromagnetic Immunity	Conducted/Radiated per IEC 60945-10, 61000.	

Oceanic Systems (UK) Ltd
Unit 10-11 Milton Business Centre, Wick Drive,
New Milton, Hampshire, BH25 6RH, United Kingdom

Tel (UK): +44(0)1425 610022 Tel (USA): (844)898 6462
Fax: +44(0)1425 614794 Email: sales@osukl.com
Web: www.osukl.com

Copyright © 2019 Oceanic Systems (UK) Ltd. All rights reserved. Our policy is one of continuous product improvement so product specifications are subject to change without notice. Oceanic Systems products are designed to be accurate and reliable. However, they should be used only as aids to vessel monitoring, and not as a replacement for traditional navigation and vessel monitoring techniques.

NMEA2000® is a registered trademark of the National Marine Electronics Association.