

Casolux Marine light

Marine light system

LILLEHOLM 90

GB

IP55



Power
10 w

Efficiency
90 Lm/w

Lifetime
40.000 Hours
(70% Lumen maintenance)

Input
350mA
24 VDC

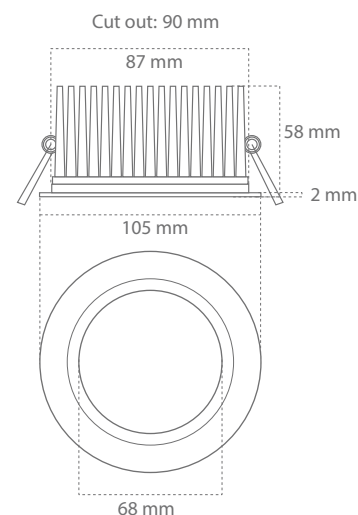
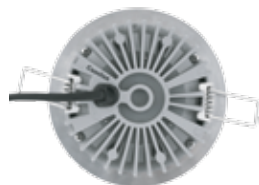
Material
Stainless steel
Aluminum



Stainless steel
Polished (SS-PO)



Stainless steel
Brushed (SS-BR)



Product code	Lumen output	Beam	Power	CCT	CRI	LED brand
LILLEHOLM-90-SS-PO	900 lm	90°	10 w	3000	> 83	SAMSUNG
LILLEHOLM-90-SS-BR	900 m	90°	10 w	3000	> 83	SAMSUNG

Feature

- Stainless steel (316) / Anodized aluminum ensures corrosion free product in damp environment.
- High power projector for marine light
- IP55 design with integral thermal management for long life
- High precision machining ensures perfect mechanical fit for long life

Material

- Front: Aisi 316 stainless steel
- Back: Anodised aluminium

Benefit

- High reliability
- Maintenance free

Application

- Marine light