

## ULTRASONIC SPEED SMART™ SENSORS

# UST800/UST850 and UDST800 Smart™ Sensors

### Ultrasonic Smart™ Sensor for Cruising and Racing

AIRMAR's new Ultrasonic speed sensors just turned your maintenance time into more cruising time... and made your boat smarter too. Ultrasonic speed and temperature (UST800/UST850) or ultrasonic speed, depth and temperature (UDST800) in one single housing with no moving parts makes these sensors a high precision, low maintenance solution for power and sail boats of all types and sizes. Say goodbye to paddlewheel maintenance and hello to Ultrasonic Smart™ technology, from the company who invented the Smart™ Sensor.

#### Features:

- Ultrasonic speed, depth and temperature in one housing with no moving parts. Speed and temp also available.
- Advanced filtering and sampling rates for increased accuracy at all speeds – data update rate up to 10 x per second
- Adapts automatically to boat speed, water depth and water clarity keeping speed accuracy consistent.
- Perfect for salt and fresh water usage.
- Easily retrofits into most AIRMAR 2" housings





# Improved Performance

## Paddlewheel maintenance... a thing of the past

With an ultrasonic speed sensor, paddlewheel maintenance becomes a thing of the past. Enjoy the performance advantage of ultrasonic speed which updates faster and provides maintenance-free reliability all season. AIRMAR's ultrasonic speed sensors feature patented Adaptive Signal Processing which provides unmatched speed sensitivity that adjusts to the speed, depth and water clarity. All this with no paddlewheel to pull and maintain... AIRMAR just turned your maintenance time into more cruising time!

# Features

## High Precision Speed Calculation

UST and UDST models feature AIRMAR's patented adaptive digital processing which calculates speed up to 22 times every second, automatically adjusting to boat speed, water depth and water clarity. Reliable operation in both salt and fresh water. This translates into the most reliable and accurate ultrasonic speed sensors on the market—at a very competitive price.

### Speed Range

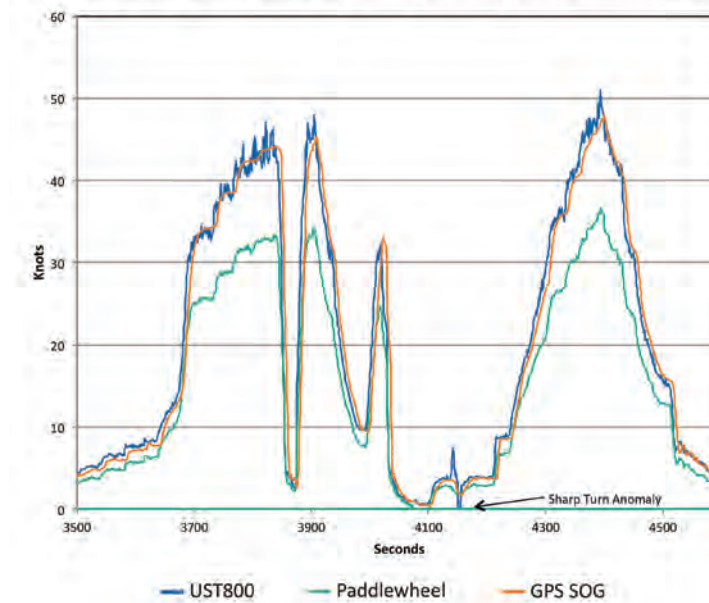
0.1 to 50 knots (57 MPH)

### Available Outputs

UST800/UST850: NMEA 0183 or NMEA2000®

UDST800: NMEA2000®

## Ultrasonic Beats paddlewheel for Speed Accuracy and Responsiveness



## Fast Response Water Temperature

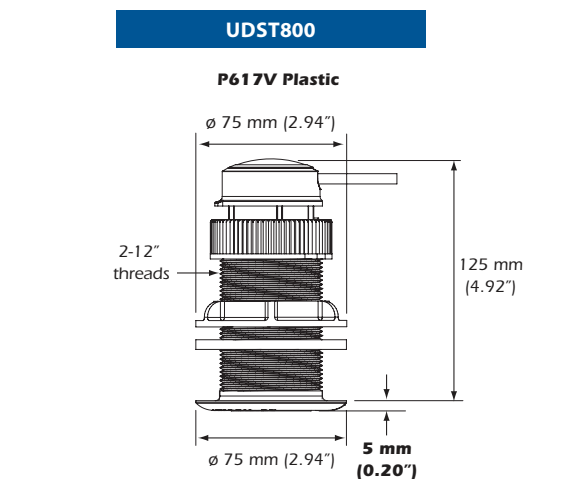
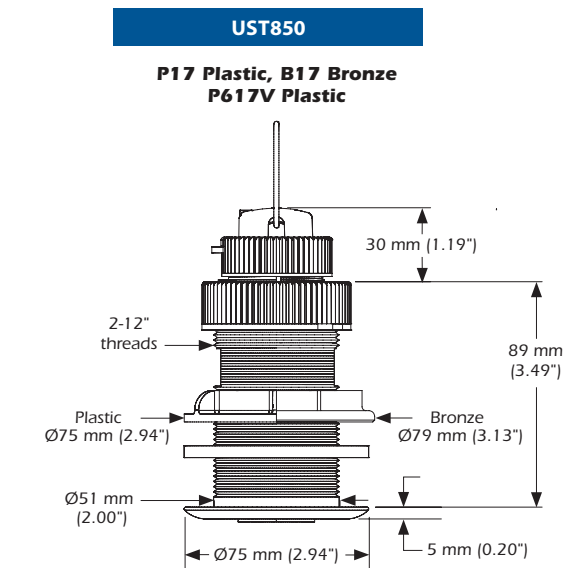
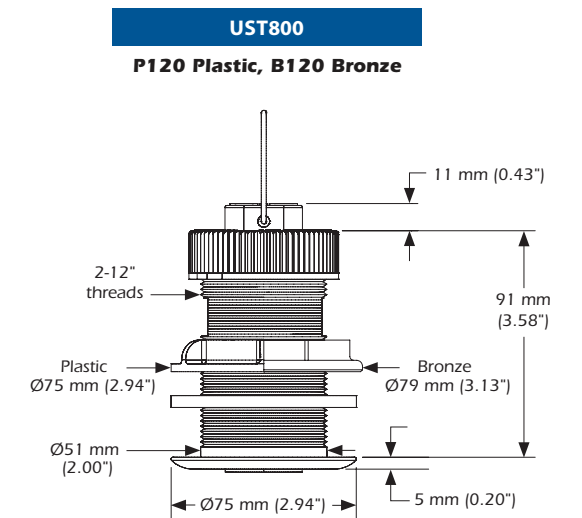
With accuracy of +0.5°C (+1.0°F) searching for optimum swimming and fishing temperatures becomes easy.

### Water Temperature Range

-4°C to 40°C (24.8°F to 104°F)

## Simple Installation and Easy Maintenance

Only one hole through the hull simplifies the installation—an attractive feature for boat builders and boat owners alike.



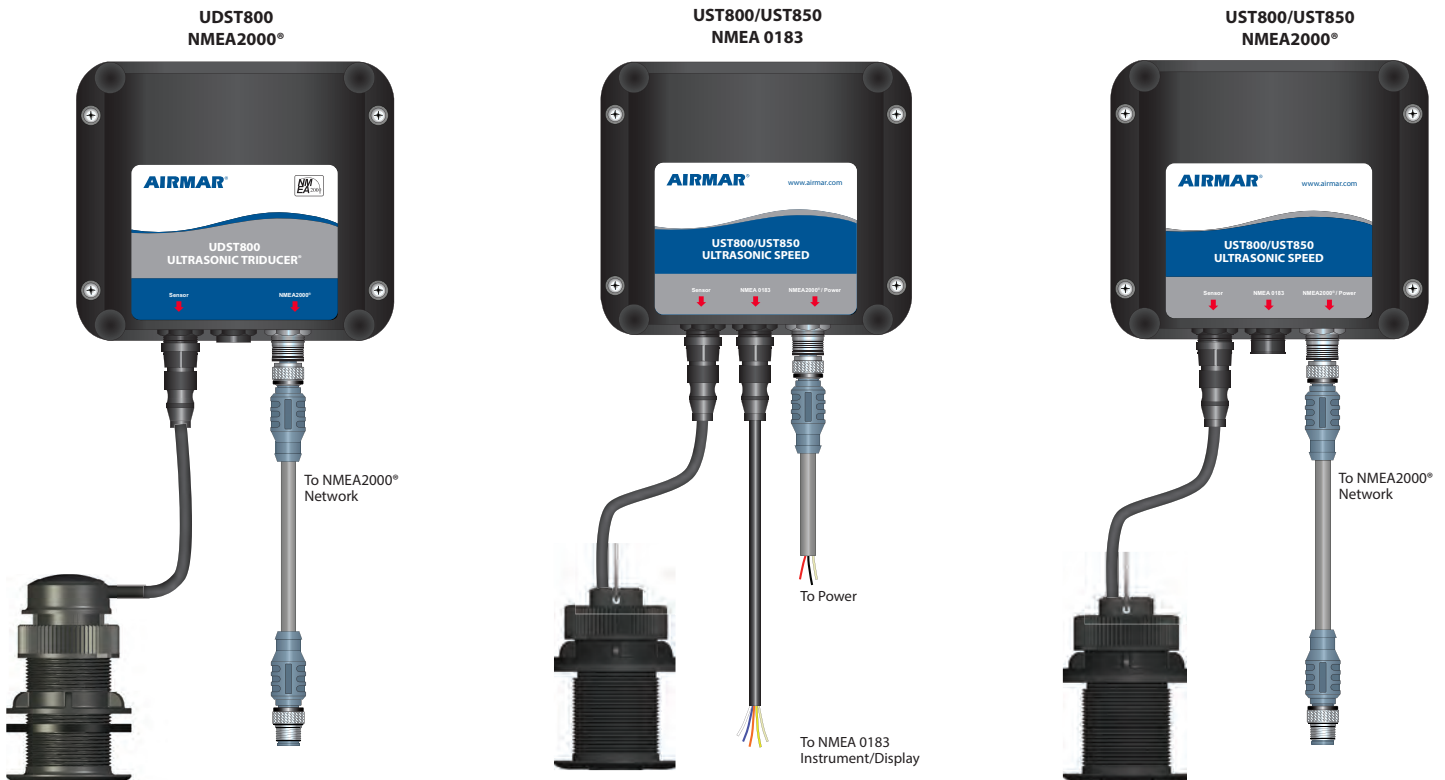


# UST800/UST850 and UDST800 SMART™ SENSORS

## SPECIFICATIONS

Correlation Speed Sensor Transmitting Frequency	4.5 MHz
Pulse Repetition Frequency	0.5 kHz to 12 kHz (varies with speed)
Speed Range	0.1 to 50 knots (57 MPH)
Available Outputs	UST800/UST850: NMEA 0183, NMEA2000® UDST800: NMEA2000®
Water Temperature Range	-4°C to 40°C (24.8°F to 104°F)
Water Temperature Accuracy	+0.5°C (+1.0°F)
Depth (UDST800)	235 kHz
Power Rating	100 W
Depth Range (UDST800)	Minimum Depth .6 m ( 2'), Maximum Depth 100 m (328')
Supply Voltage	9 VDC to 16 VDC
Supply Current	80 mA - 200 mA, Average 125 mA @12VDC
Thru-Hull Housing Material	Plastic (bronze or stainless steel optional)
Thru-Hull Housing Diameter	51 mm (2")
Sensor Material	Plastic insert
Blanking Plug	Yes
Weight	1.4 kg (3 lb)—Plastic, 1.8 kg (4 lb)—Bronze
CE Compliant	Yes
Retrofit	UST800: Retrofits into AIRMAR P120, B120 housings UST850: Retrofits into AIRMAR P17, B17, P617V housings UDST800: Retrofits into AIRMAR P617V

## PROCESSOR BOX CONFIGURATIONS



©2018 AIRMAR Technology Corporation

[www.airmar.com](http://www.airmar.com)

UST800/UST850/UDST800\_rG 9/24/18

Part numbers: UST800: 44-202-1-01  
UST850: 44-195-1-01  
UDST800: 44-218-1-01

As AIRMAR constantly improves its products, all specifications are subject to change without notice. All AIRMAR products are designed to provide high levels of accuracy and reliability, however they should only be used as aids to navigation and not as a replacement for traditional navigation aids and techniques. Smart™ is a trademark of Airmar Technology Corporation. Other company or product names mentioned in this document may be trademarks or registered trademarks of their respective companies, which are not affiliated with AIRMAR.

