

Casolux Machine light

Machine light system

BARSOE

GB

IP68



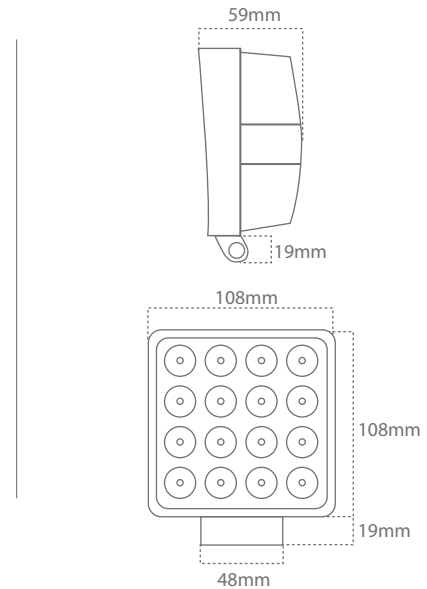
Power
48 w

Efficiency
80 Lm/w

Lifetime
50.000 Hours
(70% Lumen maintenance)

Input
10-30 VDC

Material
Aluminum



Front



Back



Accessories
(Stainless steel)



Product code	IP	Lumen/m	Beam	Power/m	Volt	CCT
BARSOE SPECIAL 10-30VDC SPOT	IP68	3840 lm	30°	48 w	10-30 VDC	6000 K
BARSOE SPECIAL 10-30VDC FLOOD	IP68	3840 lm	60°	48 w	10-30 VDC	6000 K

Feature

- Powerful lights for industrial machine lighting.
- IP68 design with integral thermal management for long life.
- Diecast aluminum ensures a corrosion free product in damp environment.
- Working temperature: -40 - +50 °C
- Spot or Flood beam.
- 16x3w EPISTAR LED's.

Material

- Diecast aluminum
- PC lens (Polycarboat)

Benefit

- High reliability
- Maintenance free

Application

- Machine light