

VISION RX

Dual-channel AIS receiver



The True Heading Vision RX is the successor of the popular Carbon RX receiver, now offering even more connectivity.

It's performance is exceptional, offering superb reception and decoding of all AIS message types. The real dual channel AIS receiver will generally receive transmissions from class A transceivers, class B transceivers, AIS-EPIRBs, AIS-SARTs, AIS-MOBs, AIS-AtoNs and AIS base stations.

It's very low power consumption makes the Vision RX receiver a helpful tool for watch keeping on small blue water cruising vessels.

Dual NMEA0183 and NMEA2000 data output makes the Vision RX a more versatile receiver, that can be used with the newest chart plotters and Electronic Chart Display Information Systems.

The standard Vision RX receiver is built in a tough, UV stable, waterproof IPx7 housing, that is easily mounted on any location. The standard Vision RX receiver is supplied with power/data/USB cable and mounting materials.

For Vessel Tracking Systems we can offer a 19" solution on custom build basis.



Sales office:

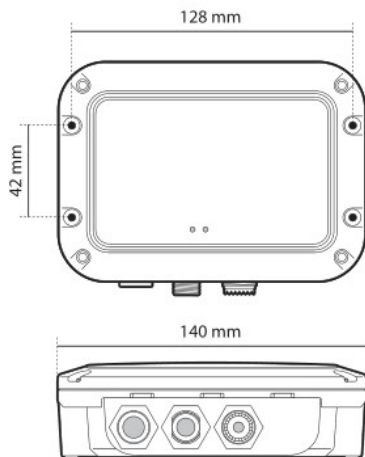
Shiptron Trading BV,

De Dolfijn 24, 1601MG Enkhuizen, The Netherlands tel.: +31228317004 email: info@shiptrontrading.com

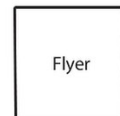
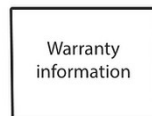
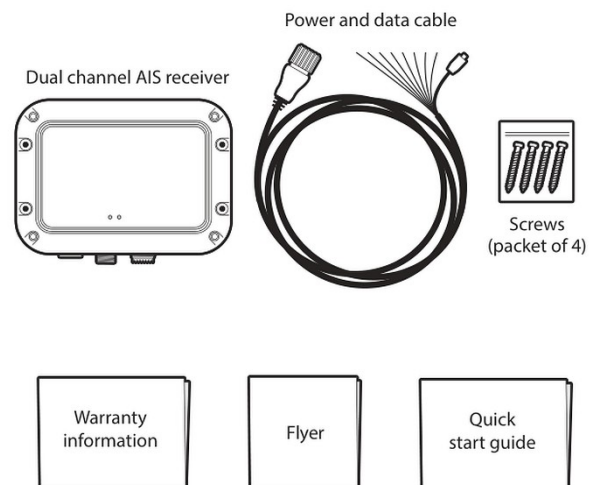
Technical Specifications

Dimensions	140 x 100 x 42 mm (L x W x H)
Weight	250g (AIS receiver unit only)
Power	DC (9.6 - 31.2V) or USB powered Average power consumption <1W Current consumption <200mA at 12VDC
Data interfaces	USB NMEA0183 38,400 baud output NMEA0183 4,800 baud input NMEA2000 LEN=1
Connectors	VHF antenna connector (SO-239) USB type A plug NMEA2000 standard connector 12 way power input / NMEA0183
Dual channel receiver	Fixed frequency reception at 161.975MHz and 162.025MHz
Channel Bandwidth	25kHz
Receiver Sensitivity	Better than -112dBm at 20% Packet Error Rate
Environmental	Operating temperature: -25°C to +55°C
Ingress Protection rating	IPx7

Dimensions:



What's in the box?



This document is Shiptron Trading BV copyright. Shiptron's policy is focused on continuous research and development. Therefore, Shiptron reserves the right to change specifications without prior notice.



Sales office:

Shiptron Trading BV,
De Dolfijn 24, 1601MG Enkhuizen, The Netherlands tel.: +31228317004 email: info@shiptrontrading.com