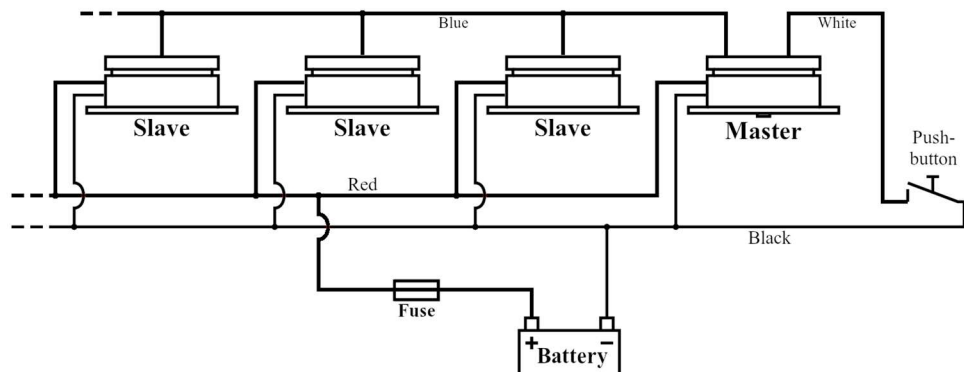
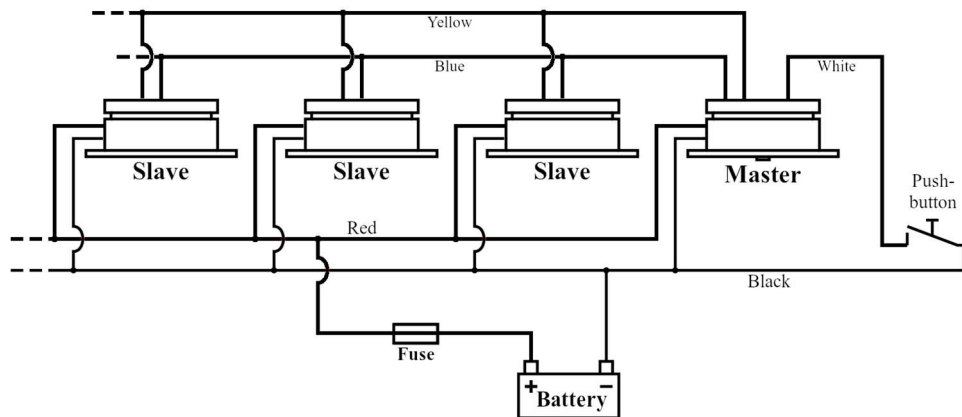


Electrical diagram

For models with CCT WW



For models with CCT WW - RED



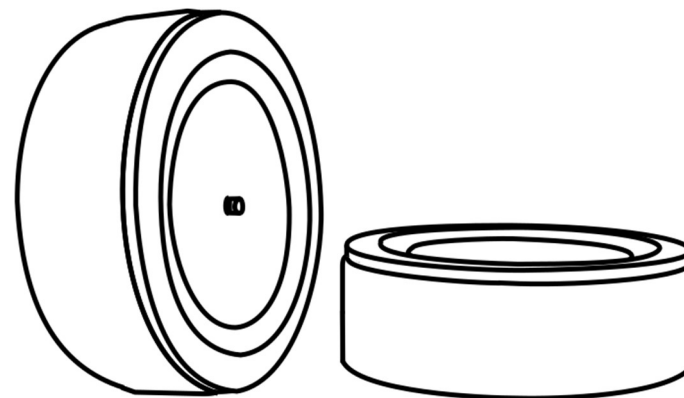
CASOLUX®

The lights of tomorrow

Downlight

Assembly Instructions

| ITEM | POWER | VOLT |
|----------------------------------|-------|---------|
| MALOU-MASTER-SURFACE-WW | 3 W | 9-32VDC |
| MALOU-MASTER-SURFACE-WW-RED | 2x3 W | 9-32VDC |
| MALOU-MASTER-SURFACE-IP64-WW | 3 W | 9-32VDC |
| MALOU-MASTER-SURFACE-IP64-WW-RED | 2x3 W | 9-32VDC |
| MALOU-SLAVE-SURFACE-WW | 3 W | 9-32VDC |
| MALOU-SLAVE-SURFACE-WW-RED | 2x3 W | 9-32VDC |



Casolux Aps
 Borrevej 18, 6400 Sønderborg
 Phone: +45 74 45 00 05
www.casolux.com

BEFORE YOU START

Safety information

Read all safety information before using the device to ensure safe and proper use.

The lamp can be installed directly into the insulation or similar material, without an extra security box.

The light source of this light fixture is not replaceable, when the light source reaches its end of life the whole unit shall be replaced.

It is extremely important that these instructions are read carefully, and any illustrations studied before commencing installation.

Please keep these instructions for future reference.

WARNING!

- Electricity can be dangerous.
- Do not attempt to fit installation unless you are competent.
- If in any doubt consult a qualified electrician to complete electrical installation.
- Installation to comply with current IET wiring regulations.
- The lighting is for use in a normal dry domestic indoor environment.
- If you find any damage to the electrical parts, please ask a qualified electrician
- Be aware of electrical voltage on the different models to avoid damage

Correct disposal



This marking indicates that this item should be disposed of separately from household waste. The item should be handed in for recycling in accordance with local environmental regulations for waste disposal.

Installation

- Take care when handling and installing to avoid damage to the product.
- Avoid mounting the fitting on a damp surface such as newly painted or plastered area as this could cause discoloration of the finish.

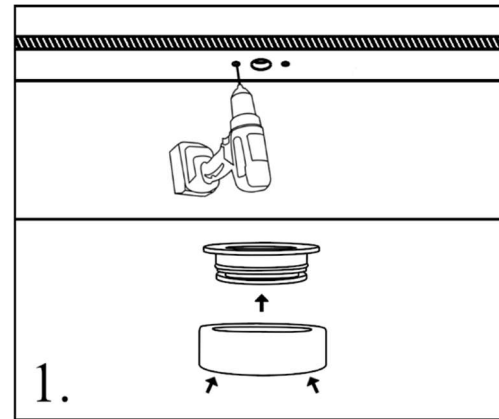
Cleaning Instructions and Care

- Please disconnect the light before cleaning.
- Take extra care when cleaning and assembling.
- Do not use any chemical or abrasive solutions.

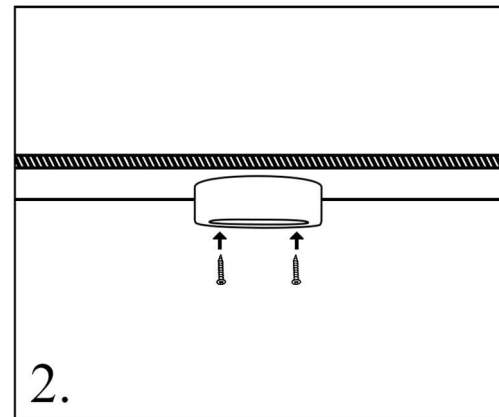
General Assembly

1. Prepare for mounting, by drilling 2 holes for the screws and one for routing cables through.

And separate the lamp from the base by pressing on the bottom of the light.

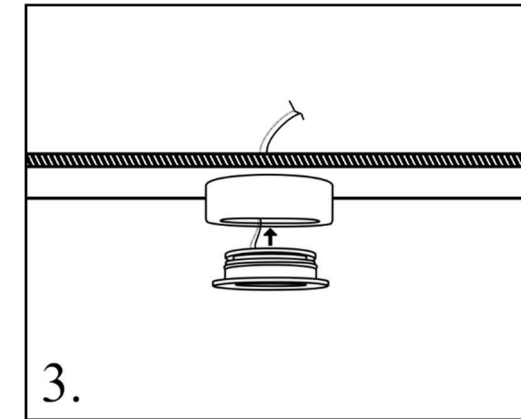


2. Screw in the base to the ceiling with the included screws



3. Rout the cable from the lamp through the base and hole.

connect the light to electricity according to the electrical diagram



4. Press the lamp into the base, stop when you hear a click

