

Casolux Marine light

Marine light system

MARY with short black flexarm

GB

IP44



Power
1,5 - 2 w

Efficiency
93 Lm/w

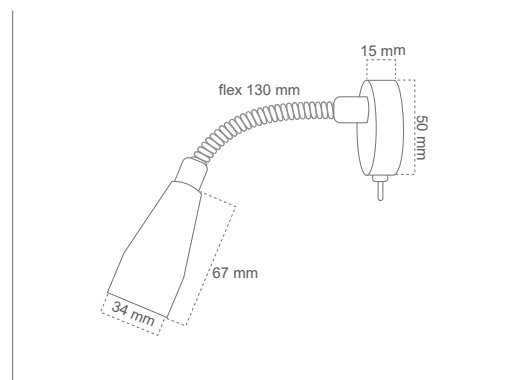
Lifetime
40.000 Hours
(70% Lumen maintenance)

Input
10-30 VDC

Material
Aluminum
Stainless steel



Stainless steel - Brushed
MARY SS-FLEX-BRUSHED



Black
MARY AL-BL-FLEX



Titan
MARY AL-TI-FLEX



Grey
MARY AL-GR-FLEX

Product code	Lumen output	Beam	Power	CCT	CRI	LED brand
MARY SS-FLEX-BRUSHED	140 lm	40°	1,5 w	3000	> 83	CREE
MARY AL-BL-FLEX	186 lm	40°	2 w	3000	> 83	CREE
MARY AL-TI-FLEX	186 lm	40°	2 w	3000	> 83	CREE
MARY AL-GR-FLEX	186 lm	40°	2 w	3000	> 83	CREE

Feature

- Stainless steel (SS316) / Anodized aluminum ensures corrosion free product in damp environment.
- High power projector for marine light
- IP44 design with integral thermal management for long life
- High precision machining ensures perfect mechanical fit for long life

Material

- Stainless steel SS316 with brushed surface
- Black, Titan and Grey: Anodised aluminium
- Flex: Chromeplated brass with Black Polyolefin cover

Benefit

- High reliability
- Maintenance free

Application

- Marine light